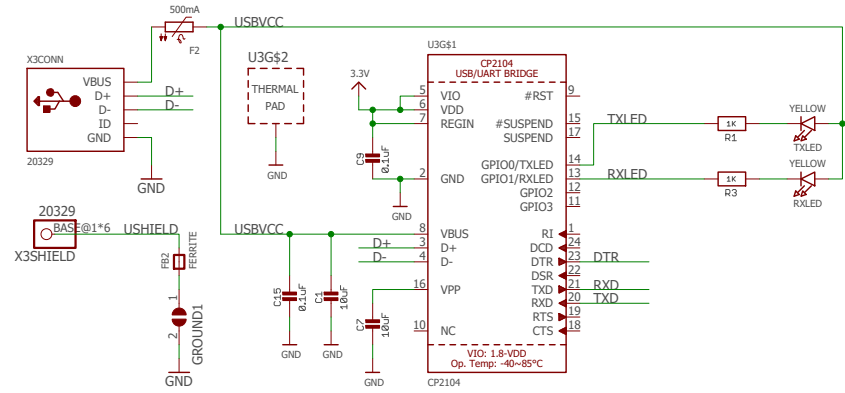
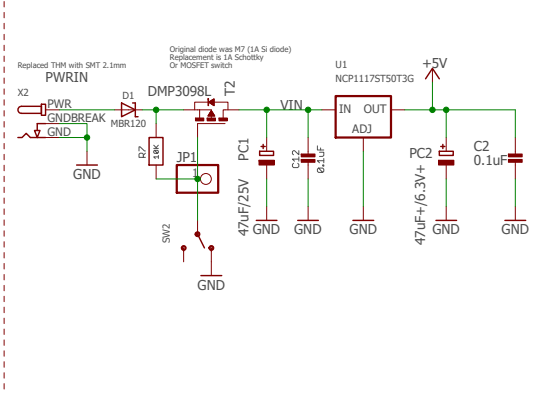


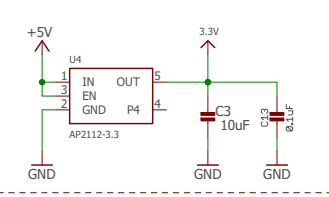
### USB/Serial Bridge



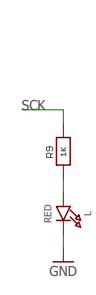
### POWER SUPPLY: 5V



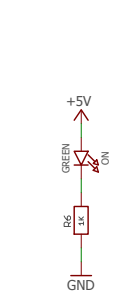
### POWER SUPPLY: 3.3V



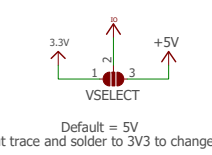
### SCK LED



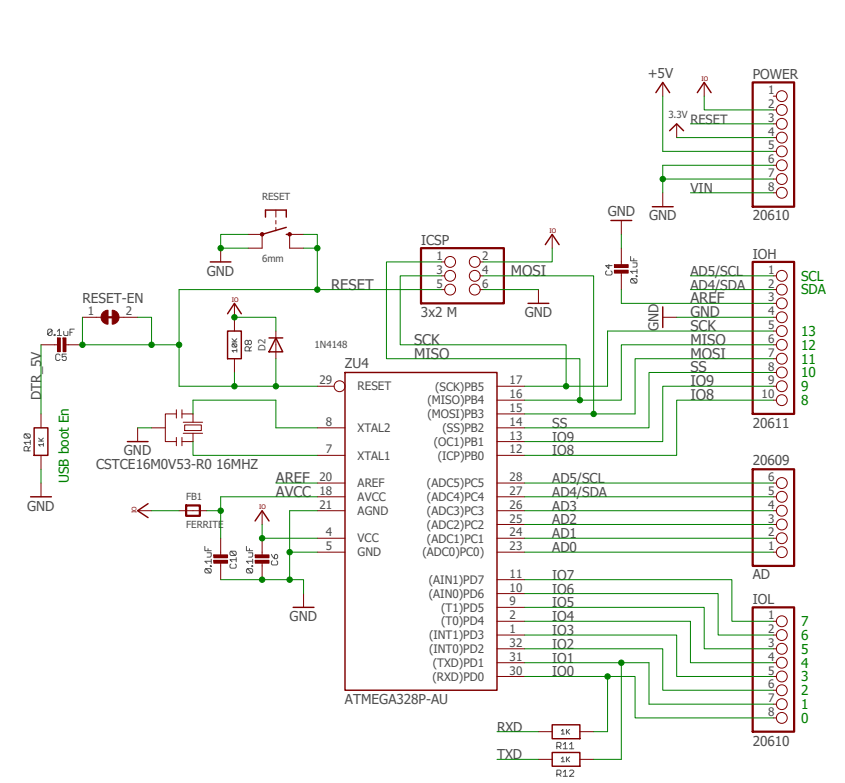
### POWER LED



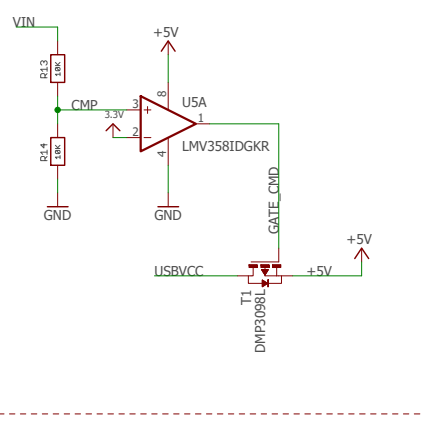
### IO LEVEL SELECTION



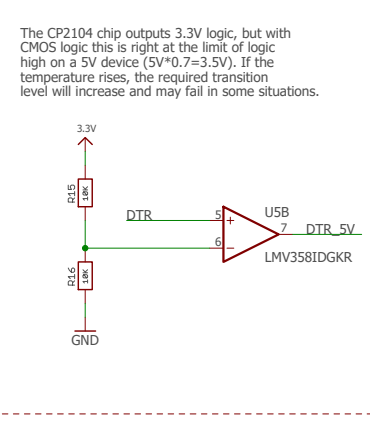
### ATMEGA328 MCU



### POWER SUPPLY SELECTION



### RESET LEVEL SHIFTING (3V->5V)



The CP2104 chip outputs 3.3V logic, but with CMOS logic this is right at the limit of logic high on a 5V device ( $5V \cdot 0.7 = 3.5V$ ). If the temperature rises, the required transition level will increase and may fall in some situations.

Lots of room for BLAH BLAH BLAH notes